



WHEEL LOADER PERSONAL SIMULATOR

REAL TRAINING VALUE IN A PC-BASED SIMULATOR

- ▶ Pre-screen trainees for operator aptitude
- ▶ Prepare students for real seat-time
- ▶ Upgrade skills to meet higher standards
- ▶ Promote the trade to aid recruitment



Simply install the simulation software and connect the USB simulator controls!

Simlog's Wheel Loader Personal Simulator puts students at the controls of a typical Wheel Loader with either a bucket or forks, to simulate a wide variety of typical operations on a jobsite. The simulation environment includes a new commercial site that resembles a typical loading/unloading yard at a factory or warehouse.

Training efficiency is delivered through a modular Instructional Design that teaches real skills for productive and safe equipment operations in the field.

9 SIMULATION MODULES OF INCREASING DIFFICULTY

- Controls Familiarization
- Positioning
- Stockpiling 1 - work with the bucket on level ground
- Stockpiling 2 - work with the bucket on slopes
- Load Handling 1 - work with the forks on level ground
- Load Handling 2 - work with the forks on slopes
- Load Handling 3 - work with the forks to load/unload a flat-bed truck
- Truck Loading 1 - work with the bucket to load a dump truck
- Truck Loading 2 - work with the bucket to *spot* and then load a dump truck

AUTOMATIC PERFORMANCE MEASUREMENT

For each Simulation Module, comprehensive Performance Indicators measure the quality and productivity of students' work. The simulation software automatically tracks and reports Simulation Results. Students can train unsupervised and learn at their own pace!

TEACH REAL-WORLD OPERATING SKILLS



Working with the bucket



Working with the forks

OBJECTIVE SIMULATION RESULTS

66 Performance Indicators are precisely measured, including:

- Execution time
- Mass of material spilled between digging & dumping
- Time spent with bucket in digging zone
- Productivity of digging and dumping material



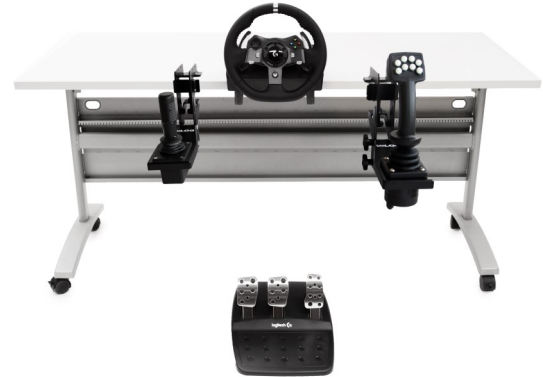
A CHOICE OF SIMULATOR CONTROLS

TABLETOP MOUNTING

The most cost-effective option featuring industrial-strength controls

KEY BENEFITS:

- Easy to assemble and USB-ready
- Light weight and portable
- Ability to create your own operator chair
- Multi-Purpose Replica Controls & Pedals
- Stick-steering or steering wheel steering



OPERATOR CHAIR WITH INDUSTRIAL CONTROLS

A superior simulation experience with an authentic operator seat

KEY BENEFITS:

- Fully assembled and USB-ready
- Steel platform on casters
- Adjustable seat, steering and arm consoles
- Multi-purpose configurations
- Stick-steering or steering wheel steering



DEDICATED OR MULTI-PURPOSE STATIONS

Simlog's unique Multi-Purpose simulator controls can be used with many Personal Simulators, including

- Skid Steer Loader
- Backhoe Loader
- Bulldozer
- Hydraulic Excavator

OPTIONAL SIMULATION MANAGER

Add the efficiency of a central database for keeping track of Simulation Results. A single Simulation Manager is compatible with all Personal Simulators – whether on a single station or networked lab.

- Control user access to all Personal Simulators
- Organize training into learning groups/classes
- Review Simulation Results from an instructor station
- Share Simulation Results with remote locations



REPRESENTED BY:
Allegheny Educational Systems, Inc.
320 East 3rd Avenue
Tarentum, PA 15084
Phone: 800-232-7600
www.alleghenyedusys.com

Contact us or your local reseller for a quotation!

